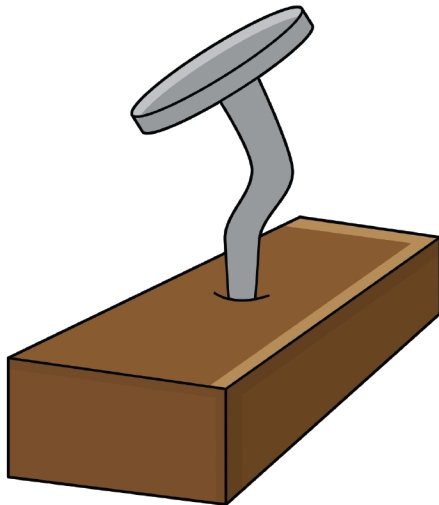


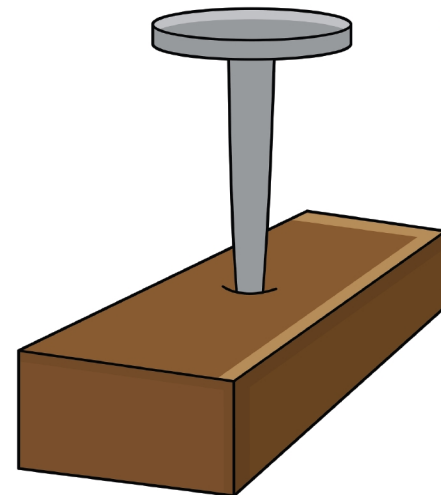
back



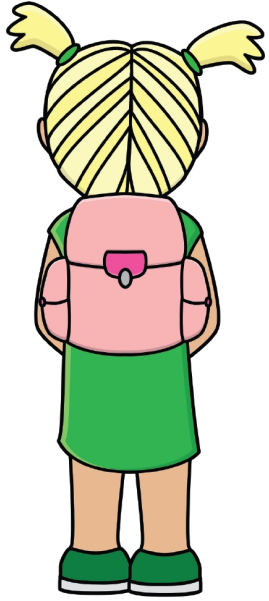
front



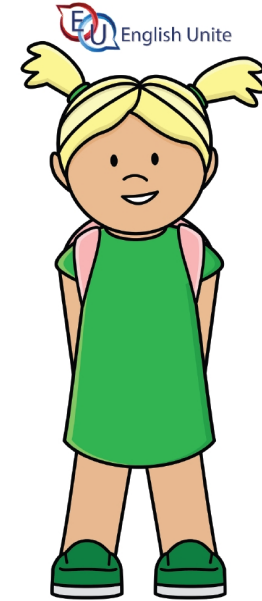
bent



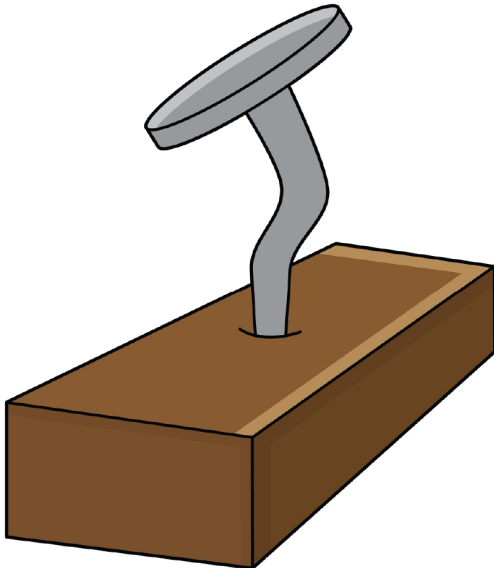
straight



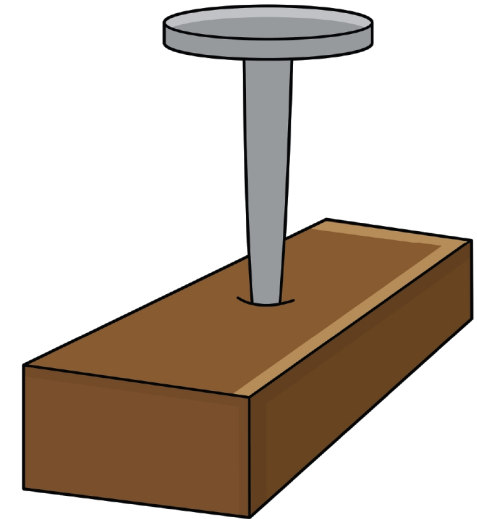
back



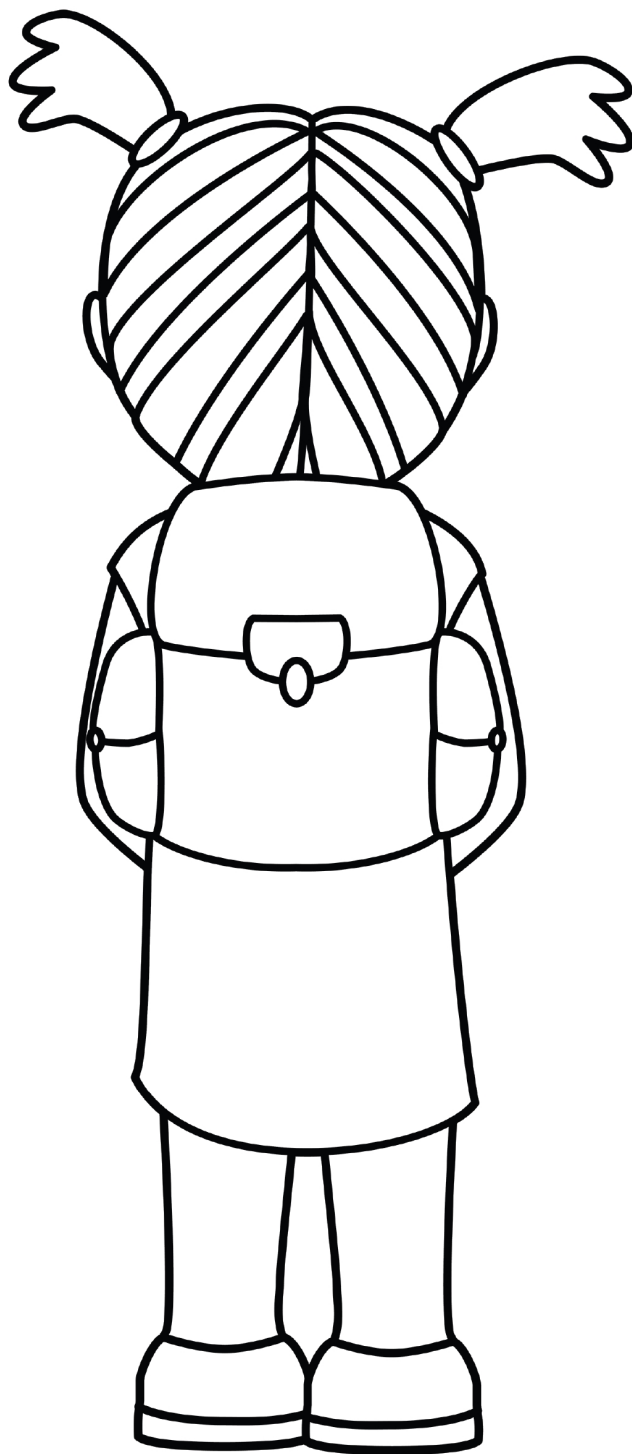
front



bent



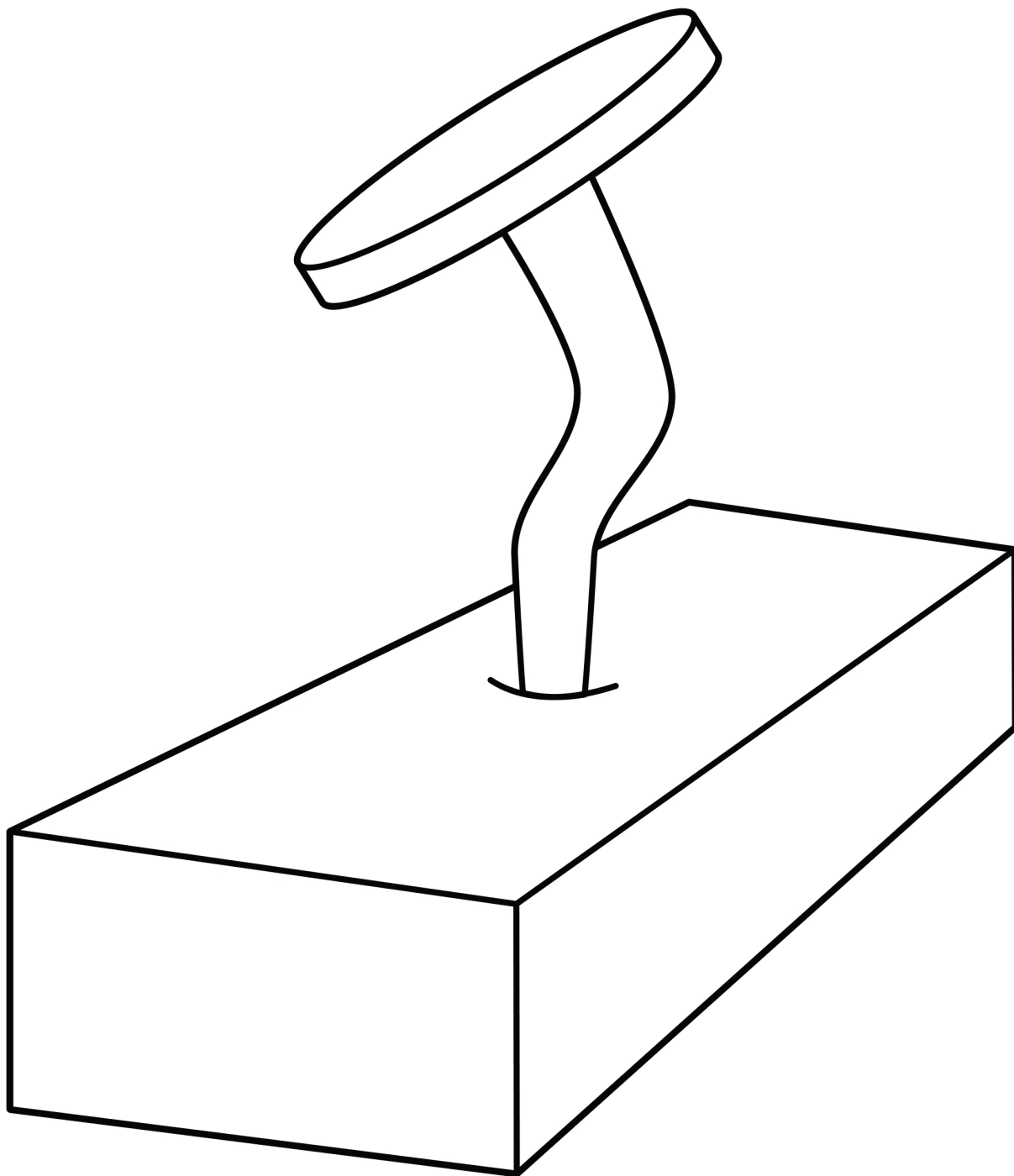
straight



The opposite of

back

is:



The opposite of
bent
is:
